

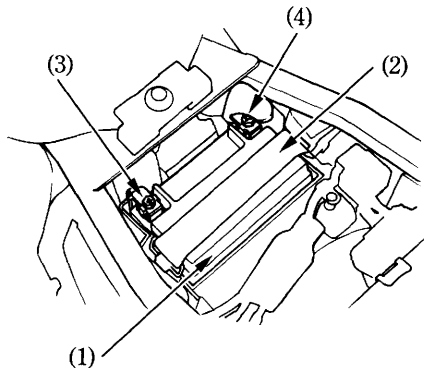
## **▲WARNING**

**\*KEEP OUT OF REACH OF CHILDREN.**

### **Battery Removal**

The battery (1) is in the battery box below the front seat.

1. Remove the front seat (page 40).
2. Unhook the strap (2).
3. Disconnect the negative (-) terminal lead (3) from the battery first, then disconnect the positive (+) terminal lead (4).
4. Pull out the battery from the battery box.



- (1) Battery
- (2) Strap
- (3) Negative (-) terminal lead
- (4) Positive (+) terminal lead