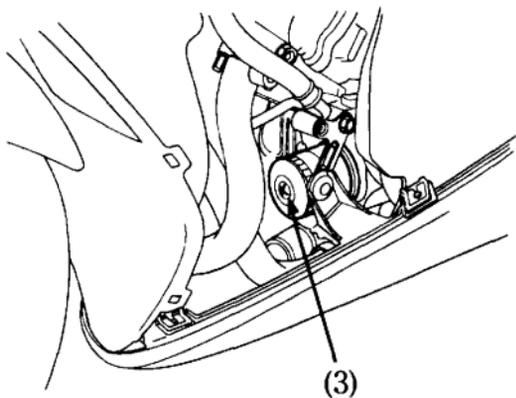


2. Remove the oil filter (3) with a filter wrench and let the remaining oil drain out.
3. Apply a thin coat of engine oil to the new oil filter rubber seal (4).
4. Using a special tool and a torque wrench, install the new oil filter and tighten to a torque of:
10 N·m (1.0 kg-m , 7 lb-ft)

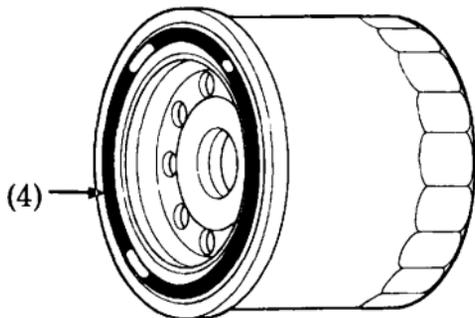


(3) Oil filter

5. Check that the sealing washer on the drain plug is in good condition and install the plug. Replace the sealing washer every other time the oil is changed, or each time if necessary.

Oil Drain Plug Torque:

35 N·m (3.5 kg-m , 25 lb-ft)



(4) Oil filter rubber seal