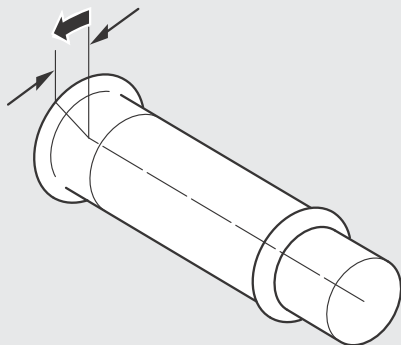


Starting the Engine *(Continued)*

If you cannot start the engine:

- ① With the throttle slightly open (about 3 mm), press the start button or operate the kickstarter.

About 3 mm



If the engine does not start:

(Using the start button)

- ① Open the throttle fully and press the start button for 5 seconds.
- ② Repeat the normal starting procedure.
- ③ If the engine starts, open the throttle slightly if idling is unstable.
- ④ If the engine does not start, wait 10 seconds before trying steps ① & ② again.

(Using the kickstarter)

- ① Turn the ignition switch to OFF position.
- ② Open the throttle fully and crank the engine several times with the kickstarter.
- ③ Turn the ignition switch to ON position.
- ④ Follow the normal starting procedure. If the engine starts with unstable idle, open the throttle slightly.

If the engine does not start, wait for 10 seconds, then follow steps ①-④ again

| If Engine Will Not Start ➔ P.79