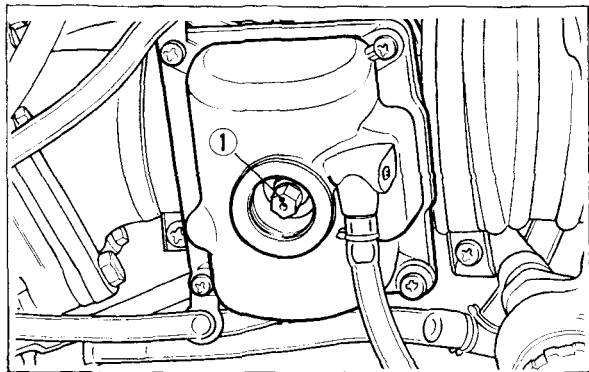


WARNING

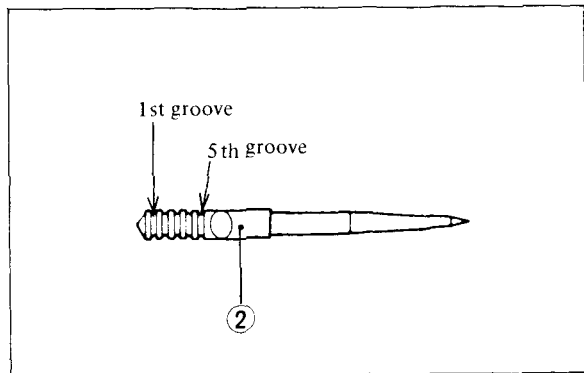
* *Gasoline is extremely flammable and is explosive under certain conditions. Perform this operation in a well ventilated area. Do not smoke or allow flames or spark in the area.*

4. Remove the fuel line.
5. Remove the screws securing the carburetor bands
6. Remove the carburetor top when changing the jet needle clip position.
7. Remove the carburetor and remove the float bowl plug



(1) Main jet

8. Change the main jet (1) and the jet needle clip position as required.
9. Install the carburetor top and install the carburetor.
10. Install the fuel line and tighten the carburetor drain bolt and carburetor band screws.
11. Adjust the air screw opening as required.
12. Check for any fuel leaks.



(2) Jet needle