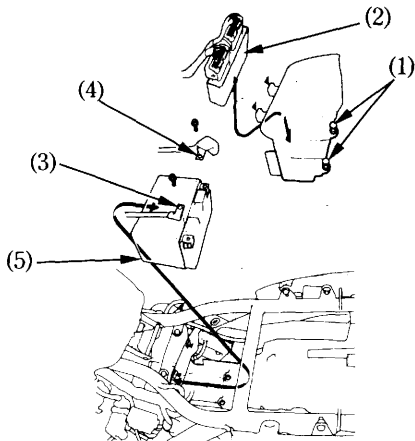


Battery Removal CB1300A/SA

1. Remove the seat (page 79).
2. Pull up the clips (1).
3. Remove the engine control module (2).
4. Disconnect the negative (-) terminal lead (3) from the battery first, then disconnect the positive (+) terminal lead (4).
5. Pull out the battery (5) from the battery box.



- (1) Clips
- (2) Engine control module
- (3) Negative (-) terminal lead
- (4) Positive (+) terminal lead
- (5) Battery