

## ENGINE OIL

### Engine Oil Level Check

Check the engine oil level each day before riding the motorcycle.

The level must be maintained between the upper (1) and lower (2) level marks in the inspection window (3).

1. Start the engine and let it idle for 3–5 minutes. Make sure the low oil pressure indicator goes off. If the indicator light remains on, stop the engine immediately.
2. Stop the engine and hold the motorcycle in an upright position on firm, level ground.

#### (BR type only)

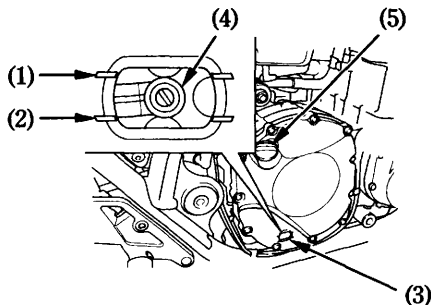
Stop the engine and put the motorcycle on its center stand on level ground.

3. After 2–3 minutes, check that the oil level is between the upper and lower level marks in the inspection window.
  - If required, clean the inspection window by turning the wiper (4).

4. If required, remove the oil filler cap (5) and add the specified oil (page 115) up to the upper level mark. Do not overfill.
5. Reinstall the oil filler cap. Check for oil leaks.

### NOTICE

Running the engine with insufficient oil pressure may cause serious engine damage.



- |                       |                    |
|-----------------------|--------------------|
| (1) Upper level mark  | (4) Wiper          |
| (2) Lower level mark  | (5) Oil filler cap |
| (3) Inspection window |                    |