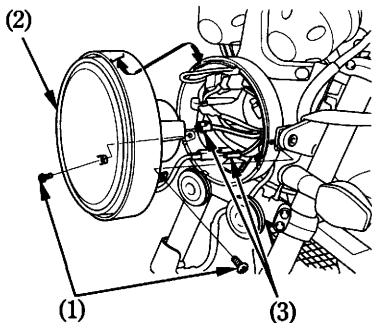


## CB1300/A

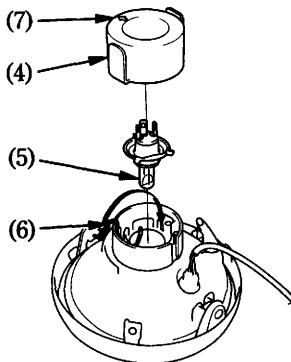
1. Remove the screws (1) from the headlight case.
2. Gently pull the lower end of the headlight (2) forward and remove the headlight.
3. Disconnect the connectors (3).



- (1) Screws  
(2) Headlight

- (3) Connectors

4. Remove the seat rubber (4).
5. Remove the bulb (5) while pressing down on the pin (6).
6. Install a new bulb in the reverse order of removal.
  - Install the dust cover with its arrow mark (7) facing up.



- (4) Seat rubber  
(5) Headlight bulb

- (6) Pin  
(7) Arrow mark