

LEFT HANDLEBAR CONTROLS

The three controls next to the left handlebar grip are:

Headlight Dimmer Switch (1)

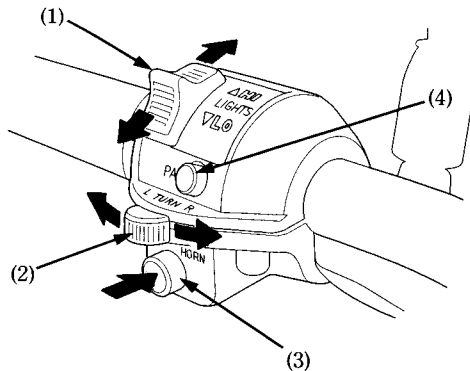
Select HI for beam, LO for low beam.

Turn Signal Switch (2)

Move to L to signal a left turn, R to signal a right turn. Return to the center (off) when finished.

Horn Button (3)

Press the button to sound the horn.



- (1) Headlight dimmer switch
- (2) Turn signal switch
- (3) Horn button
- (4) Passing light control switch