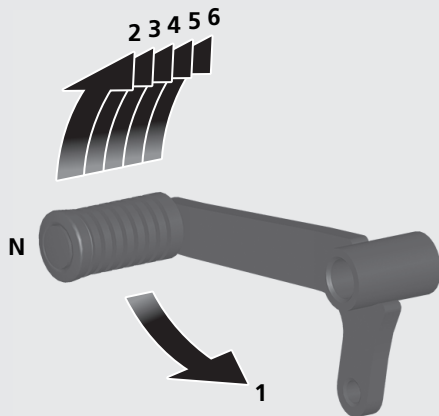


Shifting Gears

Your motorcycle transmission has six forward gears in a one-down, five-up shift pattern.



If you put the motorcycle in gear with the side stand down, the engine will shut off.