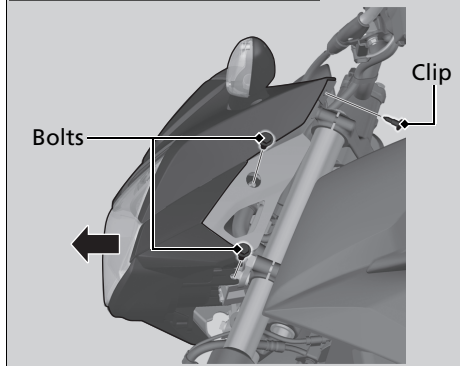


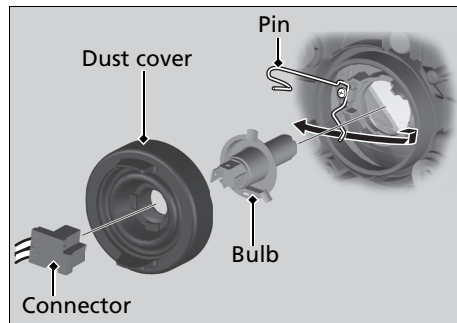
Electrical Trouble ▶ Burned-out Light Bulb

Headlight Bulb

Left side (Right side similar)



1. Remove the bolts and clips (▶ P. 52) on both side and pull the headlight assembly forward.



Troubleshooting

2. Pull off the connector without turning.
3. Remove the dust cover.
4. Press the pin down and pull out the bulb without turning it.
5. Install a new bulb and parts in the reverse order of removal.

Do not touch the glass surface with your fingers. If you touch the bulb with your bare hands, clean it with a cloth moistened with alcohol.

continued 87