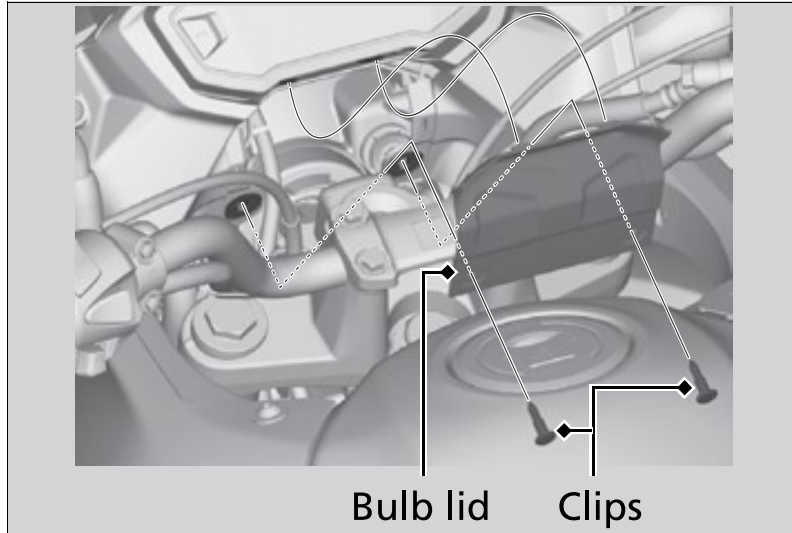


## Bulb Lid

The bulb lid must be removed to replace the headlight bulb and position light bulb.



### Removal

1. Remove the clips and the bulb lid.

### Installation

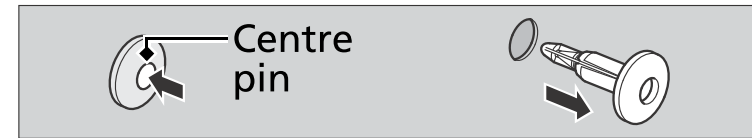
1. Install the bulb lid and the clips.

## Clip

The clip must be removed to remove the bulb lid.

### Removal

1. Press down on the centre pin to release the lock.
2. Pull the clip out of the hole.



### Installation

1. Push the bottom of the centre pin.



2. Insert the clip into the hole.
3. Press down on the centre pin to lock the clip.