

SPARK PLUGS

(Refer to the maintenance precautions on page 54).

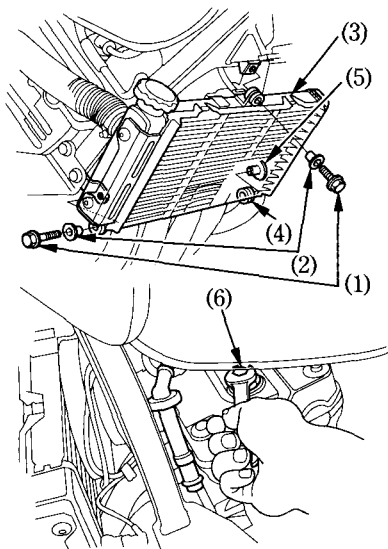
Recommended plugs:

Standard:

CR9EH-9(NGK) or
V27FER9(DENSO)

1. Remove the radiator mount bolts (1) and collars (2).
2. Move the radiator (3) out of the way and remove the grommet (4) from the radiator stay (5).
3. Pull the radiator toward the front.
4. Disconnect the spark plug caps from the spark plugs.
5. Clean any dirt from around the spark plug bases.

Remove the spark plugs using the spark plug wrench (6) furnished in the tool kit.



- | | |
|--------------------------|-----------------------|
| (1) Radiator mount bolts | (4) Grommet |
| (2) Collars | (5) Radiator stay |
| (3) Radiator | (6) Spark plug wrench |