

Main fuse:

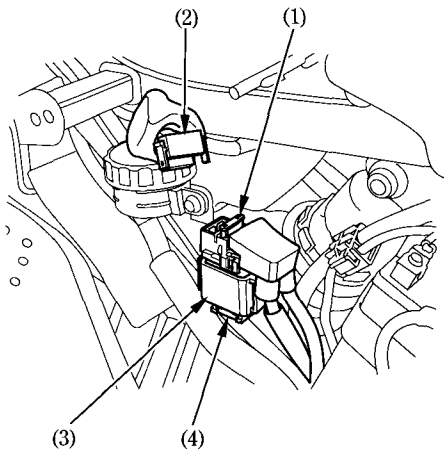
The main fuse (1) is located behind the right side cover. The specified fuse is:

30A(Main fuse)

1. Remove the right side cover (page 36).
2. Disconnect the wire connector (2) of the stator magnetic switch (3).
3. Pull out the fuse. If the fuse is blown install a new fuse.

The spare main fuse (4) is located under the starter magnetic switch (3).

4. Reconnect the wire connector and install the right side cover.



- (1) Main fuse (3) Starter magnetic switch
(2) Wire connector