

## MAJOR COMPONENTS (Information you need to operate this motorcycle)

### **▲WARNING**

**\* If the Pre-ride Inspection (page 47) is not performed, severe personal injury or vehicle damage may result.**

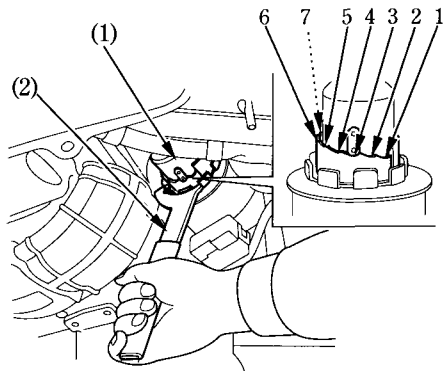
### SUSPENSION

Each shock absorber (1) has 7 adjustment positions for different load or riding conditions.

Use a pin spanner (2) to adjust the rear shocks.

Position 1 is for light loads and smooth road conditions. Positions 2 to 7 increase spring preload for a stiffer rear suspension, and can be used when the motorcycle is heavily loaded. Be certain to adjust both shock absorbers to the same position.

Standard position: 2



- (1) Shock absorber
- (2) Pin spanner