

## SPARK PLUGS

(Refer to the maintenance precautions on page 51).

Recommended plugs:

Standard:

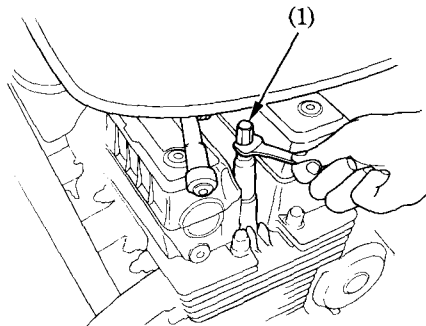
DPR8EA-9(NGK) or  
X24EPR-U9(NIPPONDENSO)

For extended high speed riding:

DPR9EA-9(NGK) or  
X27EPR-U9(NIPPONDENSO)

1. Disconnect the spark plug caps from the spark plugs.
2. Clean any dirt from around the spark plug bases.

Remove the spark plugs using the spark plug wrench (1) furnished in the tool kit.



(1) Spark plug wrench