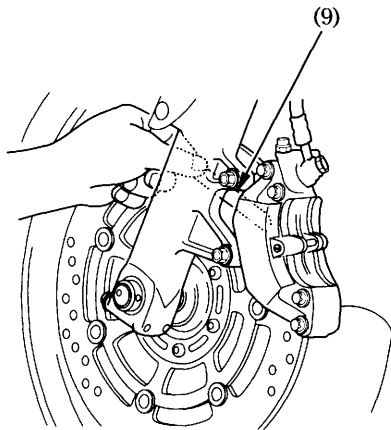
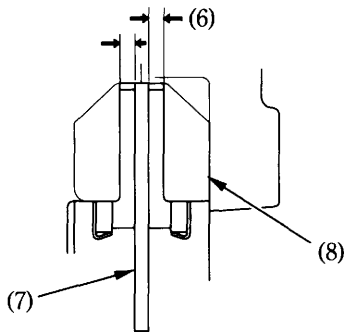


7. Measure the clearance (6) between each surface of the left brake disc (7) and the left brake caliper body (8) (not brake pads) with a 0.7 mm (0.028 in) feeler gauge (9) (see illustration).



(6) Clearance  
(7) Brake disc

(8) Caliper body

(9) Feeler gauge