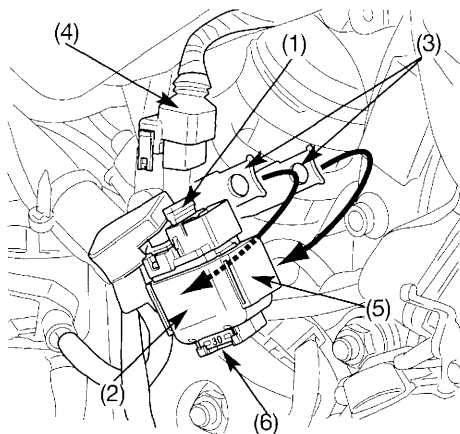


Main fuse:

The main fuse (1) is located behind the right side cover next the battery housing. The fuse specified is as follows:

30A

1. Remove the right side cover (page 53).
2. Remove the battery (page 110).
3. Remove the starter relay block (2) from its housing (3).
4. Disconnect the connector cable (4) of the magnetic starter switch (5).
5. Extract the fuse. If the fuse is burnt out, fit a replacement. The spare main fuse (6) is located under the magnetic starter switch (5).
6. Reconnect the wire connector, attach the bracket and fuse holder then reinstall the battery and the right side cover.



- (1) Main fuse
- (2) Starter relay block
- (3) Housing
- (4) Cable connector
- (5) Starter motor magnetic switch
- (6) Spare fuse