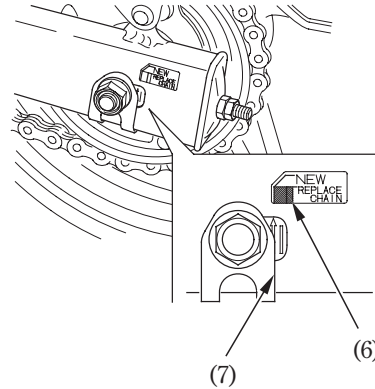




Wear inspection:

Check the chain wear label when adjusting the chain. If the red zone (6) on the label aligns with the rear edge of the axle washer (7) after the chain has been adjusted to the proper slack, the chain is excessively worn and must be replaced. The proper slack is:
15–25 mm (0.6–1.0 in)

Replacement Chain:
D.I.D 520 106 LE



- (6) Red zone
- (7) Rear edge of the axle washer

