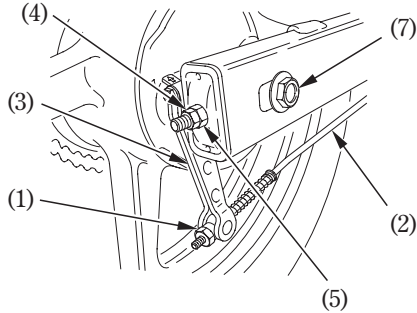


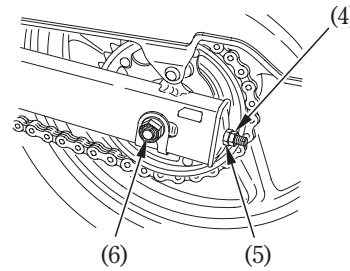
Rear Wheel Removal

1. Raise the rear wheel off the ground by placing a support block under the engine.
2. Remove the rear brake adjusting nut (1), disconnect the brake rod (2) from the brake arm (3) by pushing down on the rear brake pedal.

3. Loosen the drive chain lock nuts (4) and adjusting nuts (5).
4. Remove the rear axle nut (6) while holding the rear axle at the other end with a wrench.
5. Pull out the rear axle shaft (7).
6. Remove the drive chain from the drive sprocket by pushing the rear wheel forward.
7. Remove the rear wheel.



- (1) Adjusting nut
- (2) Brake rod
- (3) Brake arm



- (4) Lock nuts
- (5) Adjusting nuts
- (6) Rear axle nut
- (7) Rear axle shaft

