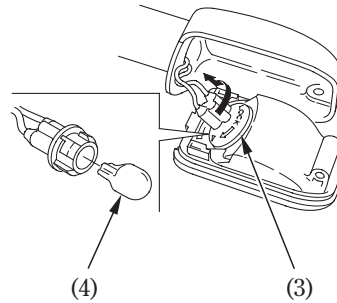
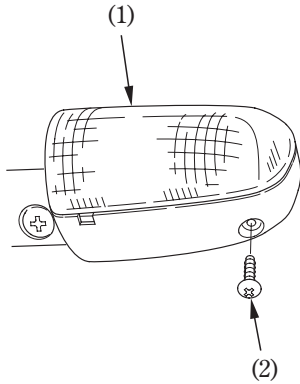




### Front/Rear Turn Signal Bulb

1. Remove the turn signal lens (1) by removing the screw (2).

2. Turn the socket (3) counterclockwise, then pull it out.  
3. Pull out the bulb (4) without turning.  
4. Install a new bulb in the reverse order of removal.



(1) Turn signal lens

(2) Screw

(3) Socket

(4) Bulb

