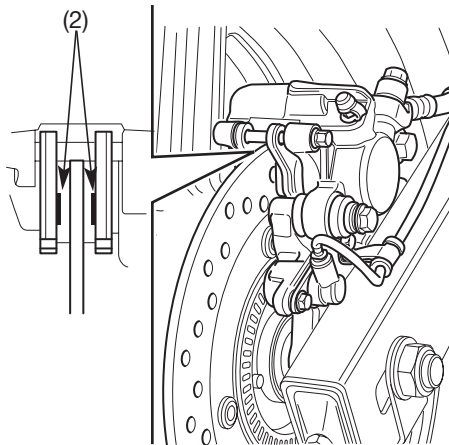


Rear Brake

Check the cutout (2) in each pad. If either pad is worn to the cutout, replace both pads as a set. See your Honda dealer for this service.

<REAR BRAKE>



(2) Cutout