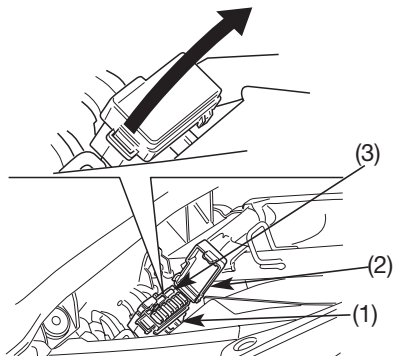


Fuse box:

The fuse box (1) is located under the pillion seat. The fuses specified are as follows:

10A

1. Remove the pillion seat (page 44).
2. Open the fuse box cover (2).

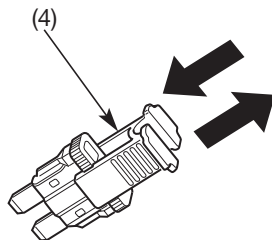


- (1) Fuse box
(2) Fuse box cover
(3) Spare fuse

3. Extract the fuse using the specific extractor tool (4) supplied in the toolkit. If the fuse is burnt out, fit a replacement.

The spare fuse (3) is located in the fuse box.

4. Close the fuse box cover and refit the pillion seat.



- (4) Fuse puller