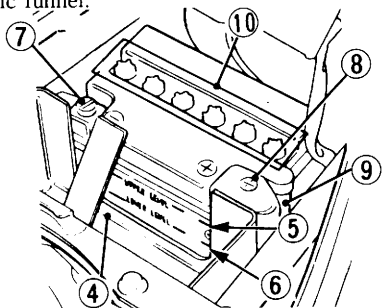


The electrolyte level must be maintained between the UPPER (5) and LOWER (6) LEVEL marks on the side of the battery. If the electrolyte level is low, disconnect the negative (-) terminal lead (7) from the battery first, then disconnect the positive (8) terminal lead. Disconnect the battery breather tube (9). Pull out the battery. Remove the battery filler caps (10). Carefully add distilled water to the UPPER LEVEL mark, using a small syringe or plastic funnel.



- |                       |                       |
|-----------------------|-----------------------|
| (4) Separator         | (8) Positive terminal |
| (5) UPPER LEVEL       | (9) Breather tube     |
| (6) LOWER LEVEL       | (10) Filler caps      |
| (7) Negative terminal |                       |

#### CAUTION:

- \* When checking the battery electrolyte level, or adding distilled water, make sure the breather tube is connected to the battery breather outlet.
- \* Use only distilled water in the battery. Tap water will shorten the service life of the battery.
- \* Filling the battery above the UPPER LEVEL line may cause the electrolyte to overflow, resulting in corrosion to engine or nearby parts. Immediately wash off any spilled electrolyte.
- \* The battery breather tube must be routed as shown on the label. Do not bend or twist the breather tube. A bent or kinked breather tube may pressurize the battery and damage its case.