

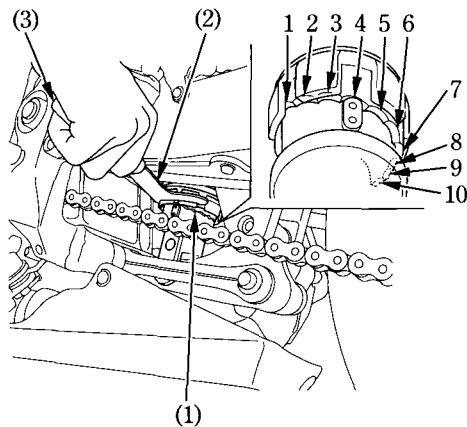
### Spring Preload:

The spring preload adjuster (1) has 10 spring preload positions for different load or riding conditions.

Use the pin spanner (2) and extension bar (3) to adjust the rear shock.

Positions 1 to 3 are for a light load and smooth road conditions. Position 4 is the standard position. Positions 5 to 10 increase spring preload for a stiffer rear suspension and can be used when the motorcycle is more heavily loaded.

The rear shock absorber assembly includes a damper unit that contains high pressure nitrogen gas. Do not attempt to disassemble or service the damper; it cannot be rebuilt and must be replaced when worn out. Disposal should only be done by your Honda dealer. The instructions found in this owner's manual are limited to adjustment of the shock assembly only.



(1) Spring adjuster

(3) Extension bar

(2) Pin spanner