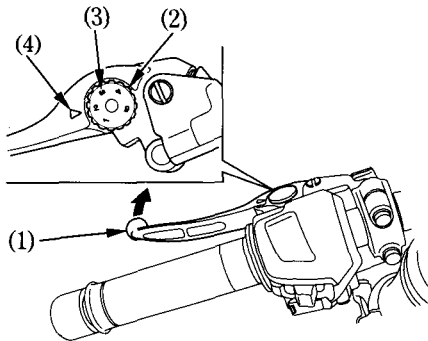


Clutch Lever:

The distance between the tip of the clutch lever (1) and the grip can be adjusted by turning the adjuster dial (2).

Turn the adjuster dial while pushing the clutch lever forward.

Align the numbers (3) on the adjuster dial with index mark (4).



(1) Clutch lever
(2) Adjuster dial

(3) Numbers
(4) Index mark