

SEAT

Front seat

The front seat (1) must be removed for battery and fuse maintenance.

To Remove the Front Seat:

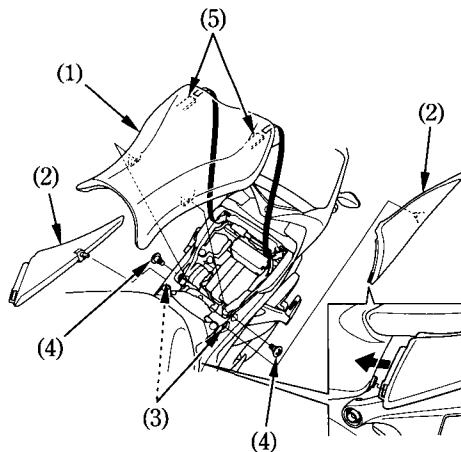
1. To remove the right and left side covers (2), release the tabs from the guides, and carefully pull the cover out from the grommets (3).

The right and left side covers can be removed in the same manner.

2. Remove the screws (4), and then pull the seat forward and up.

Installation:

1. Insert the prongs (5) into the seat hooks and tighten the mounting bolts securely.
2. Insert the tabs into the guides, and align the side covers prong with the rubber grommets.



- (1) Front seat
(2) Side covers
(3) Grommets

- (4) Screws
(5) Prongs