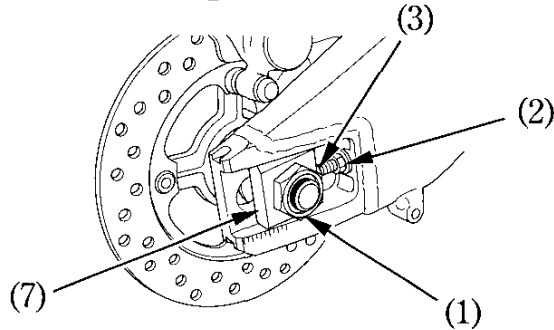


Rear Wheel Removal

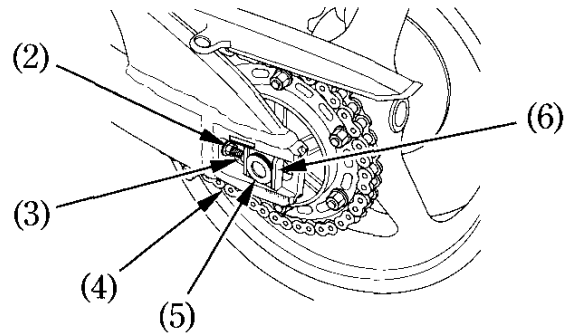
1. Support the motorcycle securely, raise the rear wheel off the ground.
2. Loosen the rear axle nut (1).
3. Loosen the lock nuts (2) and adjusting bolts (3).
4. Remove the rear axle nut and washer.
5. Remove the drive chain (4) from the driven sprocket by pushing the rear wheel forward.
6. Remove the rear axle shaft (5), rear wheel, left chain adjust plate (6), right chain adjust plate (7) and side collars from the swingarm.



- (1) Rear axle nut (3) Adjusting bolts
(2) Lock nuts (7) Right chain adjust plate

Do not depress the brake pedal while the wheel is off the motorcycle. The caliper pistons will be forced out of the cylinders with subsequent loss of brake fluid. If this occurs, servicing of the brake system will be necessary. See your Honda dealer for this service.

Avoid getting grease, oil, or dirt on the disc or pad surfaces. Any contamination can cause poor brake performance or rapid pad wear after reassembly.



- (2) Lock nuts (6) Left chain adjust plate
(4) Drive chain (5) Axle shaft