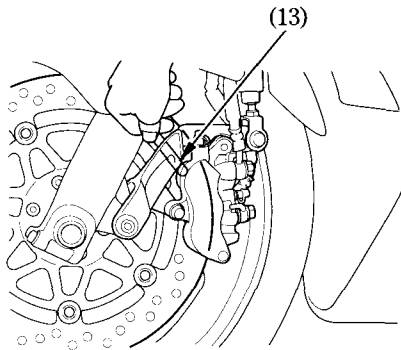
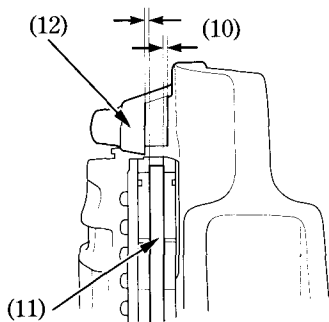


7. Measure the clearance (10) between each surface of the left brake disc (11) and the left brake caliper holder (12) (not brake pads) with a 0.7 mm (0.028 in) feeler gauge (13) (see illustration).



(10) Clearance
(11) Brake disc

(12) Caliper holder

(13) Feeler gauge