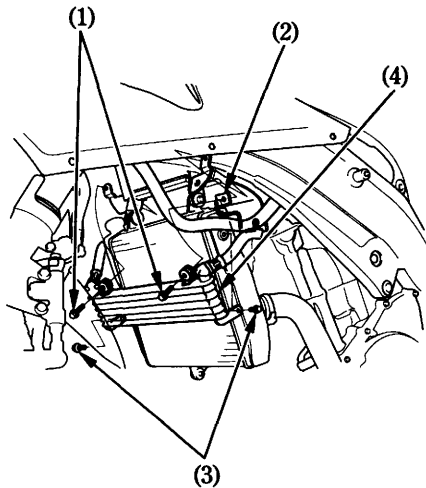


1. Remove the lower cowl (page 57 ).
2. Remove the upper cowl cover (page 59 ).
3. Remove the wind guard (page 60 ).
4. Remove the inner panel (page 61 ).
5. Remove the oil cooler upper mount bolts (1) and harness guide (2).
6. Remove the oil cooler lower mount bolts (3).
7. Move the oil cooler (4) forward.

#### NOTICE

Damage to the oil cooler fins can reduce cooling or cause a system leak. Handle the oil cooler with care.



- |                                  |                                  |
|----------------------------------|----------------------------------|
| (1) Oil cooler upper mount bolts | (3) Oil cooler lower mount bolts |
| (2) Harness guide                | (4) Oil cooler                   |