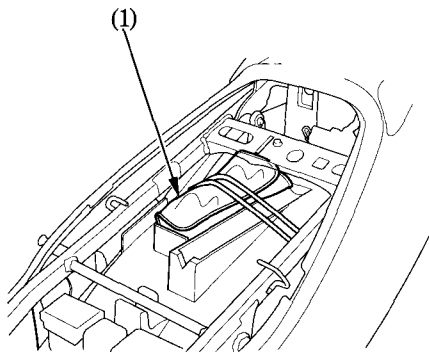


## **TOOL KIT**

The tool kit (1) is in the tool box under the seat.

Some roadside repairs, minor adjustments and parts replacement can be performed with the tools contained in the kit.

- Spark plug wrench
- 10×12 mm box end wrench
- 22 mm box end wrench
- 27 mm box end wrench
- 8 mm open end wrench
- 10 × 12 mm open end wrench
- Pliers
- 5 mm hex wrench
- 6 mm hex wrench
- Screwdriver grip
- Tool bag
- Extension bar
- Feeler gauge 0.7mm
- Standard / Philips screwdriver
- 8 mm box wrench



(1) Tool kit