

## ENGINE OIL

### Engine Oil Level Check

Check the engine oil level each day before riding the motorcycle.

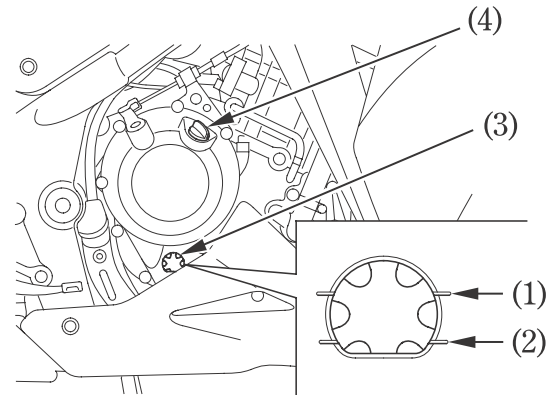
The level must be maintained between the upper (1) and lower (2) level marks in the inspection window (3).

1. Start the engine and let it idle for 3–5 minutes.
2. Stop the engine and hold the motorcycle in an upright position on firm, level ground.
3. After 2–3 minutes, check that the oil level is between the upper and lower level marks in the inspection window.
4. If required, remove the oil fill cap (4) and add the specified oil (page 79) up to the upper level mark. Do not overfill.

5. Reinstall the oil fill cap. Check for oil leaks.

### NOTICE

Running the engine with insufficient oil pressure may cause serious engine damage.



(1) Upper level mark

(2) Lower level mark

(3) Inspection window

(4) Oil fill cap