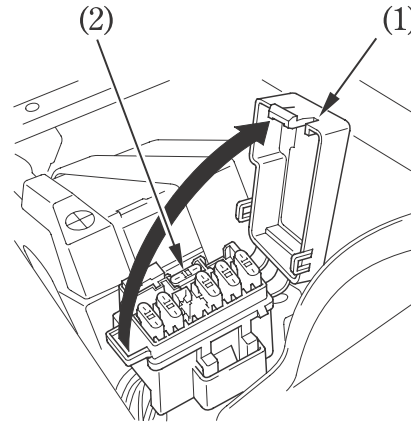


Fuse Box:
(CBR250R)

The fuse box is located under the front seat.
The specified fuses are:

10 A

1. Turn the ignition switch OFF before checking or replacing the fuses to prevent an accidental short-circuit.
2. Remove the rear and front seats (pages 47 , 48).
3. Open the fuse box cover (1).
4. Pull out the old fuse and install a new fuse. The spare fuse (2) is located in the fuse box.
5. Close the fuse box cover and install the seats.



(1) Fuse box cover

(2) Spare fuse