

Rear Wheel Removal

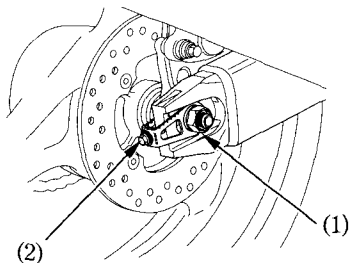
1. Except U type:

Place the motorcycle on its center stand.

For U type:

Raise the rear wheel off the ground by placing a support block under the engine.

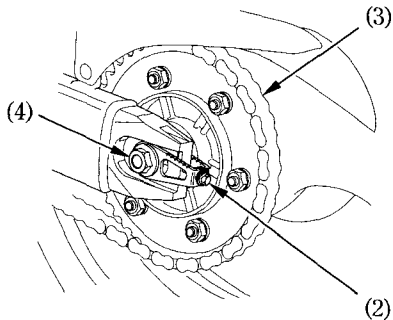
2. Loosen the rear axle nut (1).
3. Loosen the drive chain adjusting bolts (2).
4. Remove the rear axle nut.
5. Remove the drive chain (3) from the driven sprocket by pushing the rear wheel forward.



- (1) Rear axle nut
(2) Drive chain adjusting bolts

6. Remove the rear axle shaft (4), side collar and rear wheel from the swingarm.

Do not depress the brake pedal while the wheel is off the motorcycle. The caliper pistons will be forced out of the cylinders with subsequent loss of brake fluid. If this occurs, servicing of the brake system will be necessary. See your Honda dealer for this service.



- (3) Drive chain (4) Axle shaft