

Main Fuse:

The main fuse (1) is located under the seat.

The specified fuse is:

30 A

1. Remove the seat (page 55).
2. Disconnect the wire connector (2) of the starter magnetic switch.
3. Pull out the old fuse and install a new fuse.
The spare fuse (3) is located behind the fuse box.
4. Reconnect the connector and install the seat.

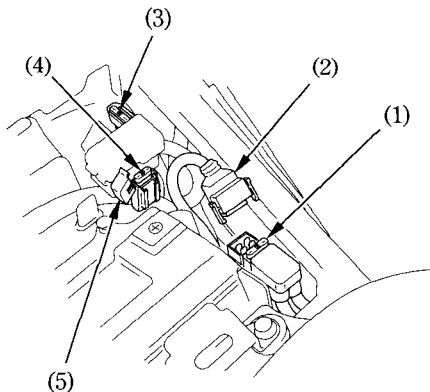
FI Fuse:

The FI fuse (4) is located under the seat.

The specified fuse is:

20 A

1. Remove the seat (page 55).
2. Open the FI fuse box cover (5).
3. Pull out the old fuse and install a new fuse.
The spare fuse is located in the fuse box.
4. Close the FI fuse box cover and install the seat.



- | | |
|---------------------|-----------------------|
| (1) Main fuse | (4) FI fuse |
| (2) Wire connector | (5) FI fuse box cover |
| (3) Spare main fuse | |