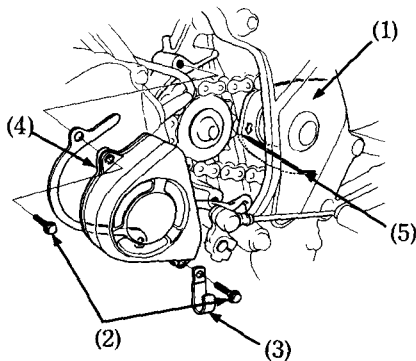


DRIVE CHAIN SLIDER

(Refer to the maintenance precautions on page 62).

Check the chain slider (1) for wear.

1. Remove the lower cowl (page 40).
2. Remove the two bolts (2) and remove the drive sprocket cover (4) by releasing the harness clamp (3).
3. The chain slider must be replaced if it is worn to the wear limit line (5). For replacement, see your authorized Honda dealer.



- | | |
|-------------------|--------------------------|
| (1) Chain slider | (4) Drive sprocket cover |
| (2) Bolts | (5) Wear limit line |
| (3) Harness clamp | |