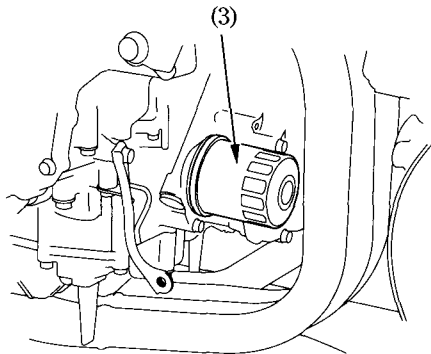
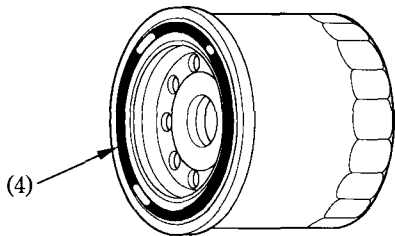


2. Remove the oil filter (3) with a filter wrench and let the remaining oil drain out. Discard the oil filter (3) .



(3) Oil filter

3. Apply a thin coat of engine oil to the new oil filter rubber seal (4).  
4. Using a special tool and a torque wrench, install the new oil filter and tighten to a torque of:  
10 N·m (1.0 kgf·m , 7 lbf·ft)



(4) Oil filter rubber seal