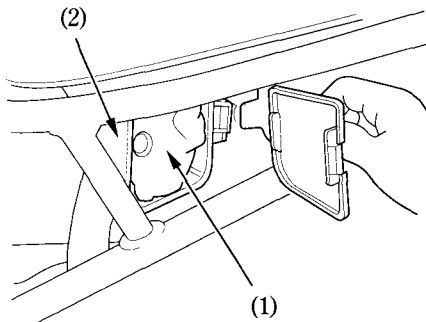


TOOL KIT

The tool kit (1) is in the storage compartment (2) inside the left side cover (page 40). Some roadside repairs, minor adjustments and parts replacement can be performed with the tools contained in the kit.

- 8 × 12 mm open end wrench
- 10 × 14 mm open end wrench
- Pliers
- 5 mm hex wrench
- No. 2 screwdriver
- No. 2 phillips screwdriver
- Screwdriver grip
- 22 mm Box end wrench
- 27 mm Box end wrench
- Extension bar
- Spark plug wrench
- Feeler gauge 0.7 mm
- Pin spanner
- Tool bag



(1) Tool kit

(2) Storage compartment