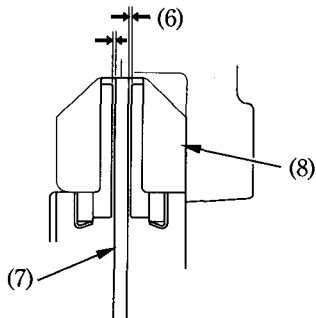


Measure the clearance (6) between each surface of the brake disc (7) and the caliper holder (8) with a 0.7 mm (0.028 in) feeler gauge (9) (see illustration).

If the gauge inserts easily, tighten the right and left axle pinch bolts (3) to the specified torque.

Axle pinch bolt torque :

22 N·m (2.2 kgf·m , 16 lbf·ft)

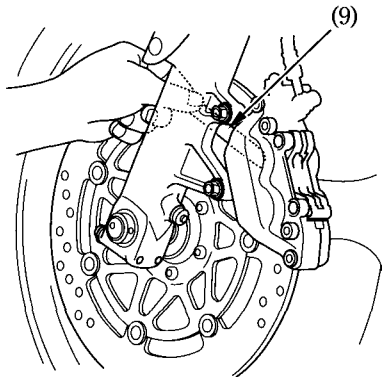


(6) Clearance
(7) Brake disc

(8) Caliper holder

⚠ WARNING

* If a torque wrench was not used for installation, see your Honda dealer as soon as possible to verify proper assembly. Improper assembly may lead to loss of braking capacity.



(9) Feeler gauge