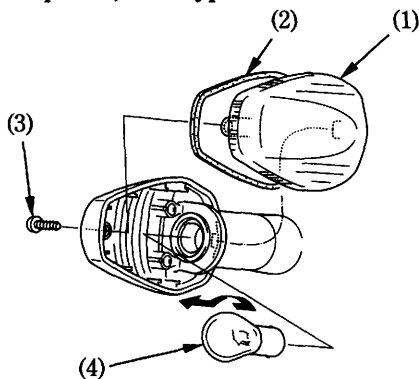


Front/Rear Turn Signal Bulb

1. Remove the turn signal lens (1) and the lens packing (2) by removing the screw (3).
2. Slightly press the bulb (4) and turn it counterclockwise.

< Except MX, IIMX type >



(1) Turn signal lens
(2) Lens packing

(3) Screw
(4) Bulb

3. Install a new bulb in the reverse order of removal.

< Except MX, IIMX type >

- Use only the amber bulb.

< MX, IIMX type >

