

Electrical Trouble ▶ Blown Fuse

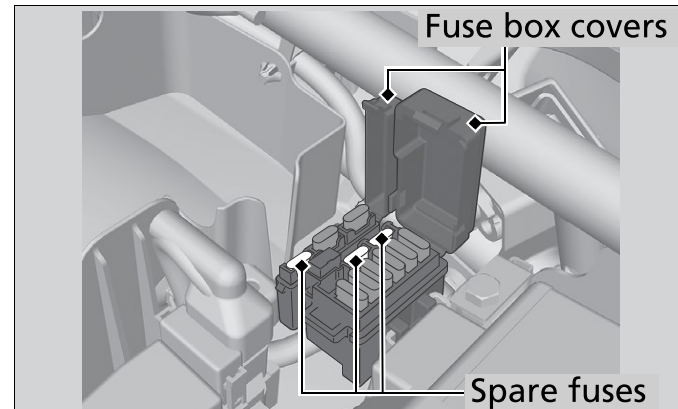
## Blown Fuse

Before handling fuses, see “Inspecting and Replacing Fuses.” ▣ P. 49

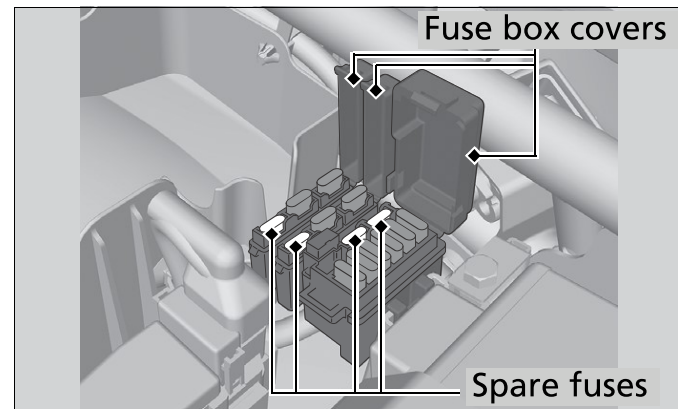
### ■ Fuse Box Fuses

1. Remove the seat. ▣ P. 58
2. Open the fuse box covers.
3. Pull the fuses out with the fuse puller in the tool kit one by one check for a blown fuse. Always replace a blown fuse with a spare of the same rating.
4. Close the fuse box covers.
5. Install the seat.

CBR650F



CBR650FA



Troubleshooting

continued 99