

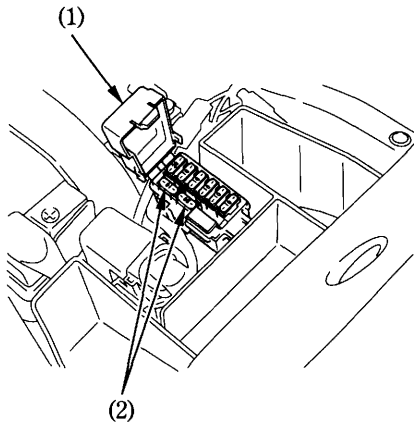
### Fuse Box:

The fuse box is located under the front seat.

The specified fuses are:

10A, 20A

1. Remove the front seat (page 62 ).
2. Open the fuse box cover (1).
3. Pull out the old fuse and install a new fuse.  
The spare fuses (2) are located in the fuse box.
4. Close the fuse box cover and install the front seat.



- (1) Fuse box cover  
(2) Spare fuses