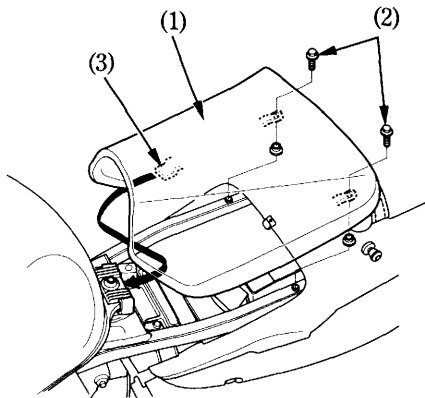


## SEAT

### Front seat

To remove the front seat (1), pull up the seat end and remove the two mounting bolts (2), and then pull the seat back and up. To install the front seat, insert the tab (3) into the recess under the frame and tighten the mount bolts securely.



(1) Front seat  
(2) Mounting bolts

(3) Tab