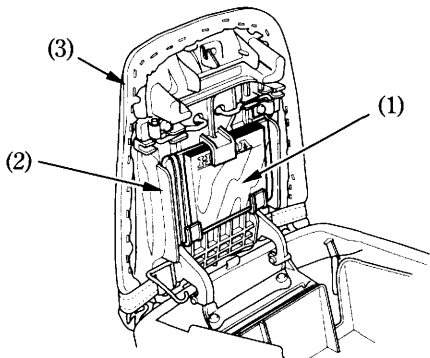


DOCUMENT BAG

The document bag (1) is in the document compartment (2) on the reverse side of the rear seat (3).

This owner's manual and other documents should be stored in the document bag. When washing your motorcycle, be careful not to flood this area with water.



- (1) Document bag (3) Rear seat
(2) Document compartment

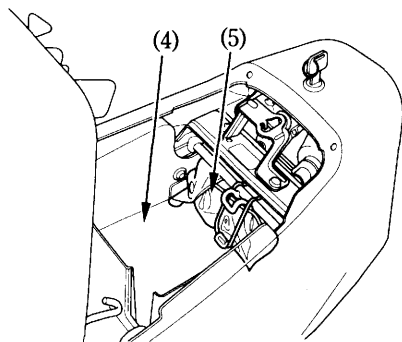
STORAGE COMPARTMENT

The storage compartment (4) is under the rear seat.

This compartment is for light weight items. Do not carry more than 2.0 kg (4.4 lbs) in this compartment.

The tool kit (5) should be stored in the compartment.

When washing your motorcycle, be careful not to flood this area with water.



- (4) Storage compartment (5) Tool kit