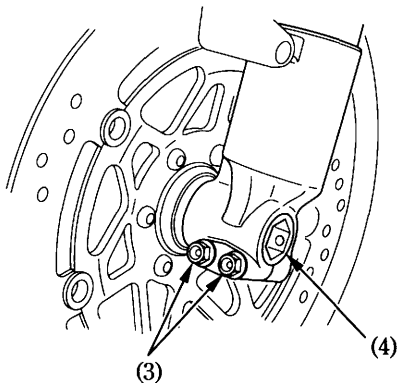
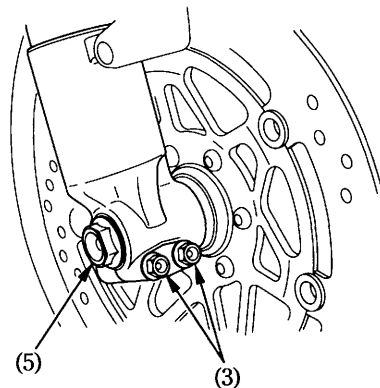


3. Loosen the right and left axle pinch bolts (3), and remove the axle bolt (5).
4. Withdraw the front axle (4) and remove the front wheel.



- (3) Axle pinch bolts
- (4) Front axle



- (5) Axle bolt