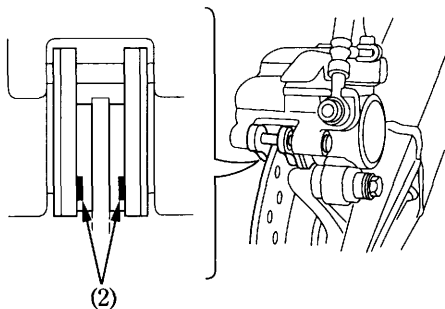


## Rear Brake

Check the cutout (2) in each pad.  
If either pad is worn to the cutout, replace  
both pads as a set. See your Honda dealer  
for this service.

< REAR BRAKE >



(2) Cutouts