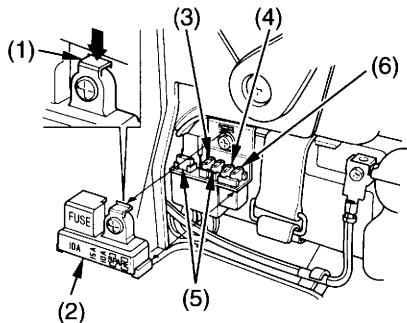


If a Fuse Blows

2. To access the main fuse and circuit fuses, open the seat (page 26) and remove the maintenance lid (page 85).

UNDER SEAT



- | | |
|--------------------|---------------------|
| (1) tab | (4) spare main fuse |
| (2) fuse box cover | (5) circuit fuse |
| (3) main fuse | (6) spare fuse |

3. Release the tab (1), then remove the fuse box cover (2).
4. Pull the main fuse (3) out.
If it is blown (7), install the spare main fuse (4).
5. To check or replace a circuit fuse (5), pull the old fuse out of its retaining clips. Look for a burned wire inside the fuse. If the fuse is blown (7), replace it with a spare fuse (6) of the same rating.

(cont'd)