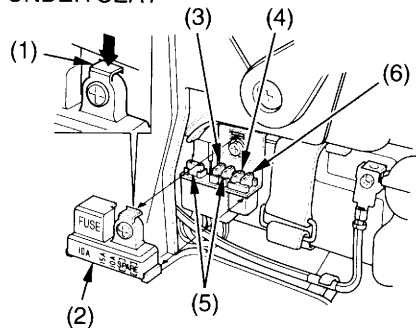


## If a Fuse Blows

2. To access the main fuse and circuit fuses, open the seat (page 26 ) and remove the maintenance lid (page 85 ).

### UNDER SEAT



- |                    |                     |
|--------------------|---------------------|
| (1) tab            | (4) spare main fuse |
| (2) fuse box cover | (5) circuit fuse    |
| (3) main fuse      | (6) spare fuse      |

3. Release the tab ( 1 ), then remove the fuse box cover ( 2 ).
4. Pull the main fuse ( 3 ) out.  
If it is blown ( 7 ), install the spare main fuse ( 4 ).
5. To check or replace a circuit fuse ( 5 ), pull the old fuse out of its retaining clips. Look for a burned wire inside the fuse. If the fuse is blown ( 7 ), replace it with a spare fuse ( 6 ) of the same rating.

(cont'd)