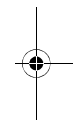
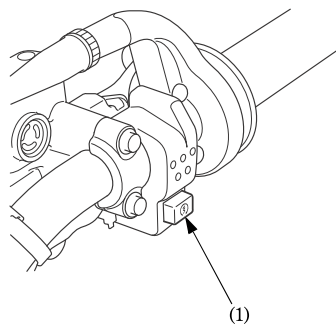


START BUTTON

The start button (1) is next to the throttle grip.

When the start button is pressed, the starter motor cranks the engine. See page 45 for the starting procedure.



(1) Start button

