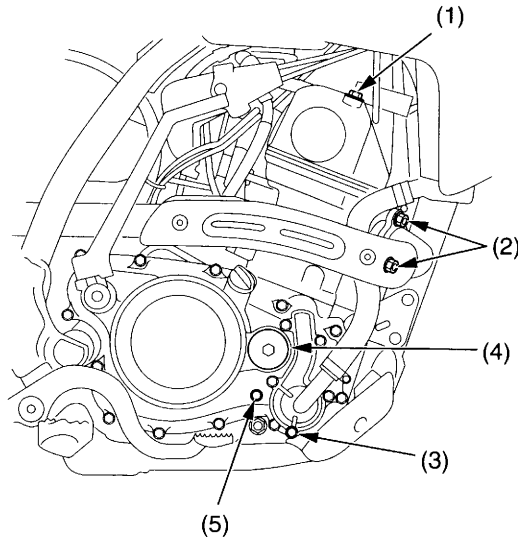


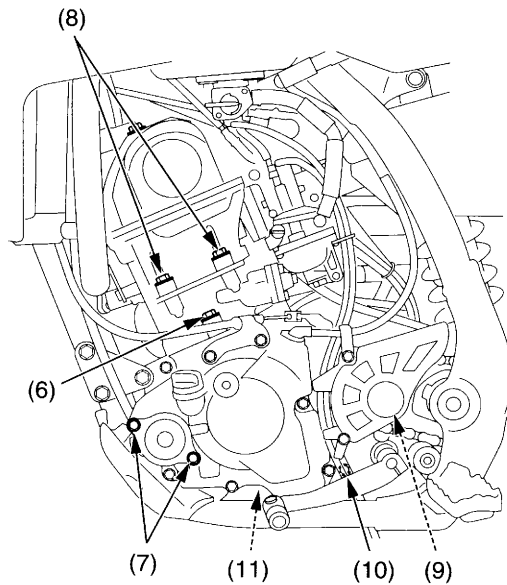
Nuts, Bolts, Fasteners

Check and tighten nuts, bolts, and fasteners before every outing.

Engine
RIGHT SIDE



LEFT SIDE



ENGINE

Item	Torque			Remarks
	N•m	kgf•m	lbf•ft	
1	10	1.0	7	
2	11	1.1	8	
3	10	1.0	7	
4	15	1.5	11	NOTE 5
5	10	1.0	7	
6	10	1.0	7	
7	10	1.0	7	
8	10	1.0	7	
9	13	1.3	10	
10	22	2.2	16	NOTE 3
11	22	2.2	16	NOTE 3

- NOTES:
1. U-nut.
 2. UBS nut.
 3. Apply oil to the threads and seating surface.
 4. Alock bolt.
 5. Apply grease to the threads.
 6. Apply locking agent to the threads.