

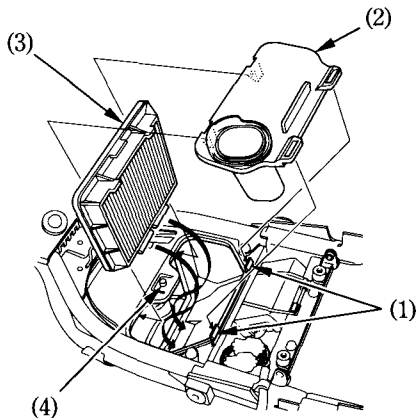
AIR CLEANER

Refer to the Safety Precautions on page 55 .

The air cleaner should be serviced at regular intervals (page 57). Service more frequently when riding in unusually wet or dusty areas.

1. Remove both side covers and the seat (page 35 , 36).
2. Release the tabs (1) and remove the air cleaner cover (2).

3. Remove the air cleaner element (3) while pulling up the hook (4).
4. Discard the air cleaner element.



- | | |
|-----------------------|-------------------------|
| (1) Tabs | (3) Air cleaner element |
| (2) Air cleaner cover | (4) Hook |